



# M/V FAZAH 1

9331593 / LIBERIA / 2005

**GENERAL**

- IMO: 9331593
- Flag: Liberia
- Build: 2005
- Class: Multipurpose Heavylifter  
GL+100 A5 E G+MC E AUT

**TONNAGE**

- DWT (summer): about 7.500 mt
- GT/NT: 7.014/3.375

**DIMENSIONS**

- LOA: 119,80 m
- Beam o.a. 20,20 m
- Draft summer SW: 7,60 m
- Height above keel: 38,15 m

**HOLDS**

- Holds (box shaped): 2
- Lower hold No. 1: 12,4 x 4,99 x 4,43m /  
6,2 x 9,94 x 4,43 m
- Tweendeck No. 1: 6,2 x 4,99 x 5,57 m /  
6,2 x 9,94 x 5,57 m /  
6,2 x 15,15 x 5,57 m
- Lower Hold No. 2: 52,00x16,10x4,95 or 6,50 m
- Tweendeck No. 2: 52,00 x 16,10 x 5,05 or  
3,50 m
- Hold total height: 10,80 m

**HATCHES**

- Hatches: 2
- Hatch cover type: No. 1 Pontoon type  
No. 2 Folding type, can be partly opened and disconnected
- Hatch No. 1: 6,20x10,32m/13,00x15,5m
- Hatch No. 2: 53,30 x 17,20 m

**CAPACITY**

- Cargo hold capacity: 11.021 m<sup>3</sup> / 389.040 cbft
- Floor space under deck: 1.986 m<sup>2</sup> / 21.377 sqft
- Floor space on deck: 1.083 m<sup>2</sup> / 11.657 sqft

**TANK TOP STRENGTHS**

- Tanktop: 16,0 mtons/m<sup>2</sup>
- Tween deck hold 1: 2,50 mtons/m<sup>2</sup>
- Tween deck hold 2: 3,00 mtons/m<sup>2</sup>
- Hatch covers: 2,50 mtons/m<sup>2</sup>

**GEAR**

- 2 x 250 mt
- Combinable up to 500 mt SWL subject to dimensions and hook points of unit to be carried.
- 100 MT SWL 26 outreach
- Mounted portside

**MACHINERY / PROPELLOR**

- MAK 7M73 four stroke, 6300 kW at 500 rpm
- Controllable pitch propeller
- Bowthruster 500

**TANK CAPACITY**

- Heavy fuel oil (HFO): abt. 775 cbm
- Gasoil (MGO): abt. 105 cbm
- Ballast: abt. 3997 cbm
- Fresh Water: abt. 140 cbm

**CONTAINER INTAKE**

- 599 TEU
- 60 reefer plugs

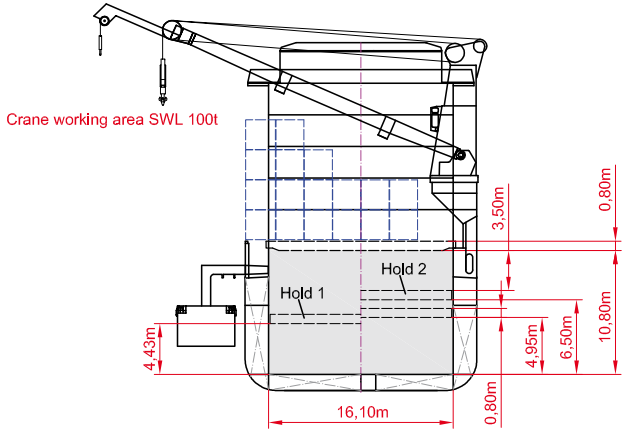
**SPECIAL FEATURES**

- Fresh water generator
- Tweendeck pontoons can be used as bulkhead
- Hold ventilation
- Stability pontoons
- Fitted for Great Lakes and Australia
- Fitted for carriage of dangerous goods of all IMO classes

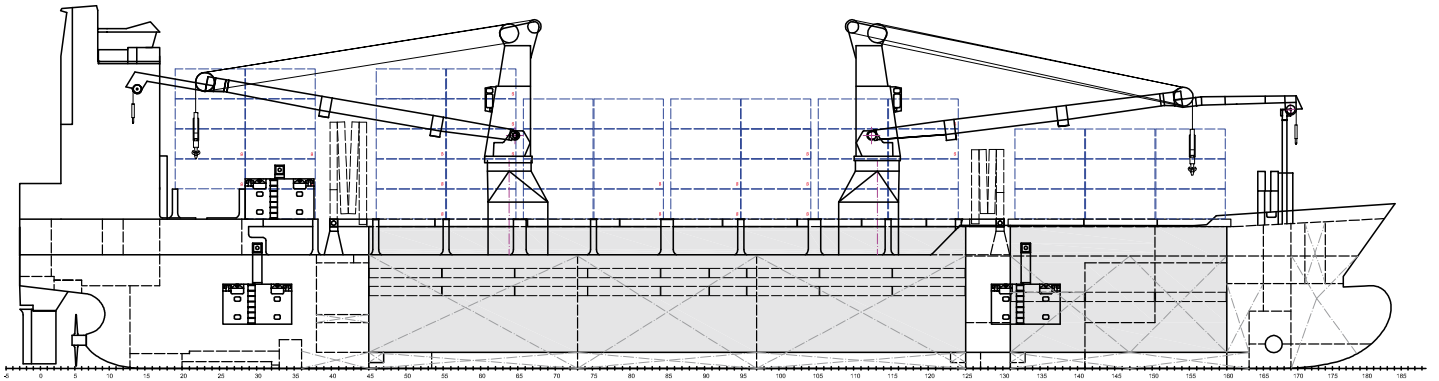
(Details are believed to be correct, but are not guaranteed.)

# M/V FAZAH 1

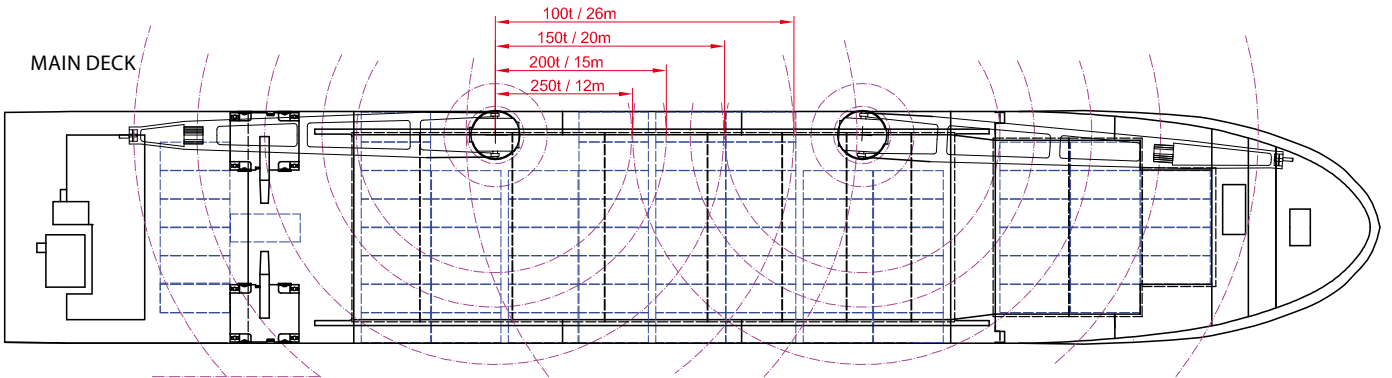
Details believed to be correct, but are given without guarantee



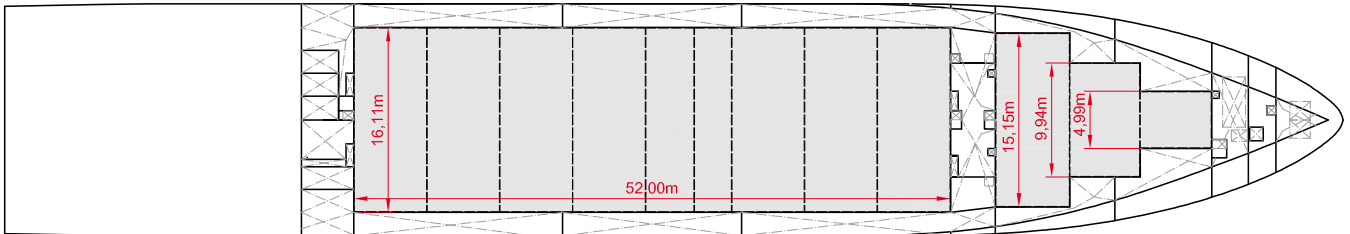
SIDE VIEW



MAIN DECK



TWENDECK



HOLDS & DOUBLE BOTTOM

