



M/V SPARTA III

9538892 / Russian / 2009

- IMO: 9538892
- Flag: Russian
- Build: 2009
- Call Sign: V2QI3
- Class: Germanischer Lloyd
Iceclass E3, RoRo Ship
- Shipbuilder: Rolandwerft, Berne,
Germany

TONNAGE

- DWT: about 9.500 mt on 7.20 m
- GT/NT: 12.679/3.804
- GT/NT Suez: 13.228/11.269
- NT Panama: 10.656

DIMENSIONS

- LOA: 141,60 m
- LBP: 130,00 m
- Draft summer SW: 7,20 m
- Breadth Moulded: 23,20 m

HOLDS

- Hold nr 1:
 - Lower Hold: 18,75x13,32x5,35 m
 - Tween Deck: 18,75x18,70x6,90 m
- Hold nr 2:
 - Lower Hold: 52,50x18,70x5,35 m
 - Tween Deck: 77,25x18,70x6,90 m
- Hold heights:
 - lower hold: 5,35 m
 - tweendeck: 6,90 m
- Height in hold position: 13,15 m
- Floor space under deck: 3.153 m²
- Floor space on deck: 2.049 m²

HATCHES

- Dimensions weatherdeck:
 - nr 1: 18,75 x 18,70 m
 - nr 2: 77,25 x 18,70 m
- Dimensions tweendeck:
 - nr 1: 17,50 x 18,70 m
 - nr 2: 52,44 x 18,70 m
- Type hatchcovers wdeck: pontoons
- Type hatchcovers twdeck: pontoons
- Tweendeck is variable in height, 3 positions

CAPACITY

with tweendeck pontoons

- Hold 1: 3.368 m³
- Hold 2: 16.605 m³
- Total: 19.973 m³

TANK TOP STRENGTHS

- Tanktop: 15,0 MT/m²
- Tweendeck:
 - Main level: 4,0 MT/m²
 - Medium level: 3,0 MT/m²
 - Upper level: 1,7 MT/m²

GEAR

- 2 x 350 mts lifting capacity, combinable up to 700 mts

MACHINERY/PROPELLER

- 1 Diesel engine, 4 stroke single acting
- MAN B+W 16V 32/40- 7.680kW, 750 rpm
- controllable pitch propeller

GENERATORS/BOWTHRUSTER

- 1 Shaft generator: 175 kVA
- 1 Emergency generator: 413 kVA
- 2 Main generators: each 1000 kVA
- Bowthruster: Jastram 900 kW

SPEED

- About 15 knots on about 27 tons/day (IFO 380)
- Max. speed: about 17.0 knots

RORO CAPACITY

- Sterndoor opening: 10,00 m x 6,250 m
- Sternramp capacity: 350 Mtons

TANK CAPACITY

- Heavy fuel oil (HFO): 1272 m³
- Diesel oil (MGO): 169 m³

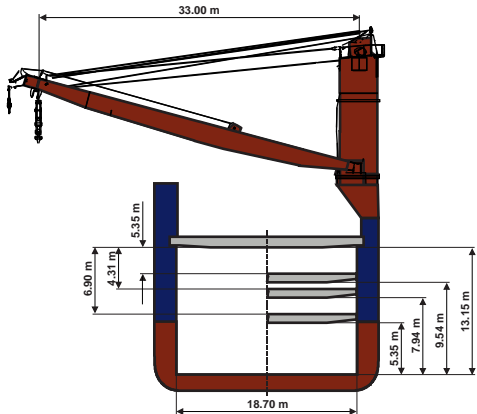
SPECIAL FEATURES

- 30 reefer plugs
- Container capacity: 791 TEU

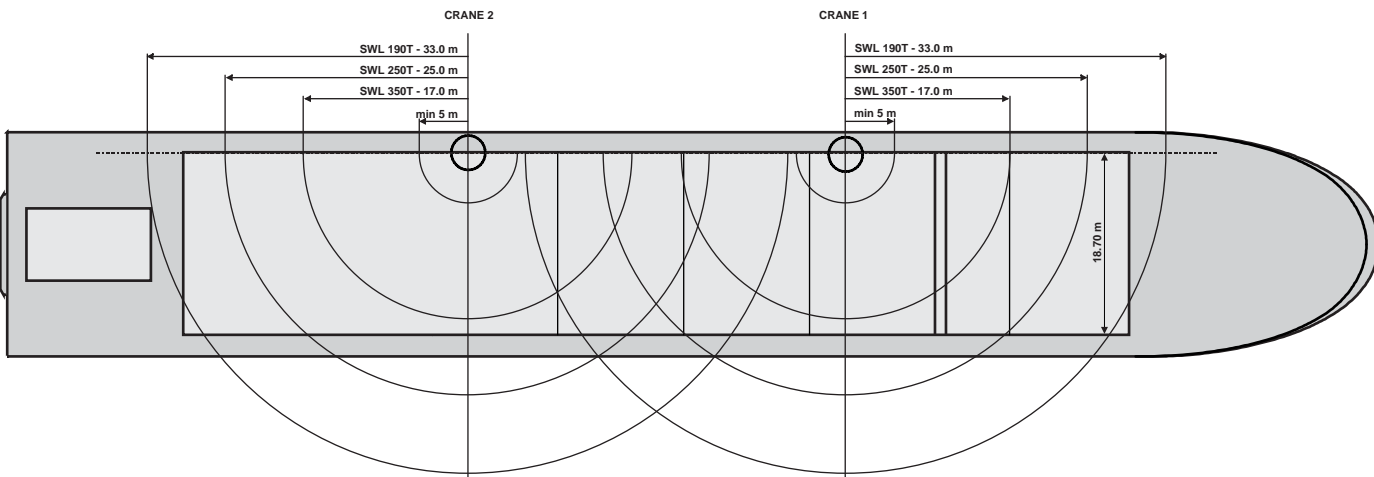
(Details are believed to be correct, but are not guaranteed.)

M/V SPARTA III

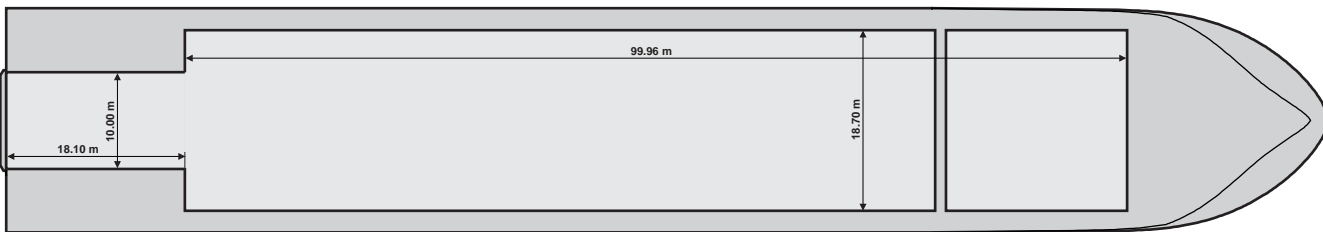
Details believed to be correct, but are given without guarantee



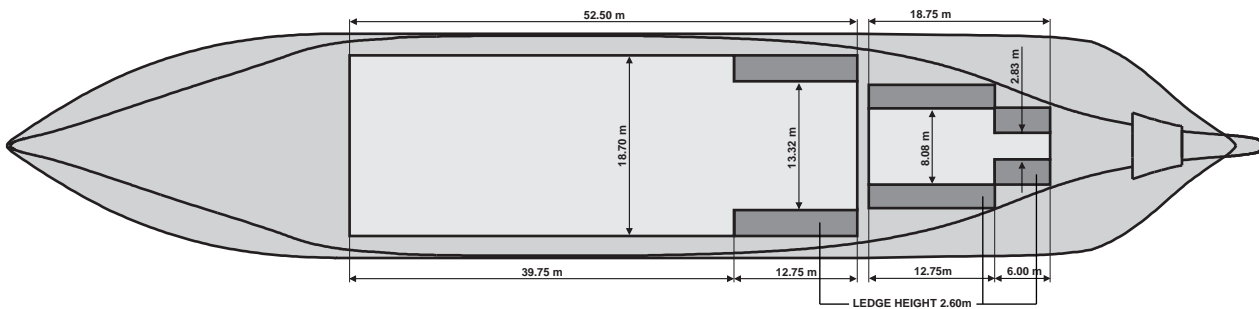
700T COMBINED LIFTING CAPACITY



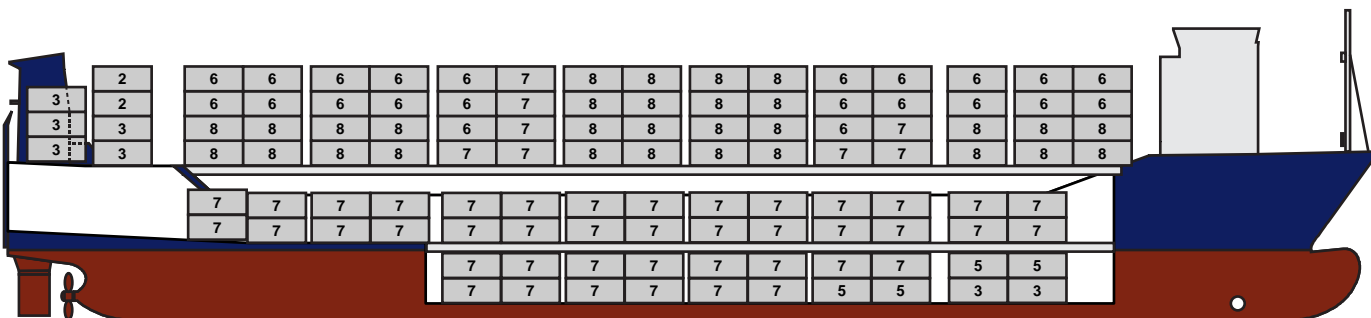
DECK



TWEEN DECK



LOWER HOLD



791 TEUS