



# M/V SPARTA

9083134 / Russian / 2003

## GENERAL

- IMO:	9268710
- Flag:	Russian
- Build:	2003
- Call Sign:	V3XE2
- Class:	Germanischer Lloyd Iceclass E3, RoRo Ship
- Shipbuilder:	Peene Werft, Wolgast, Germany

## TONNAGE

- DWT (without tweendeck):	about 7.200mt on 6,65m
- GT/NT:	8.831/2.793
- GT/NT Suez:	9.241/7.688
- NT Panama:	7.825

## DIMENSIONS

- LOA:	126,84 m
- LBP:	118,85 m
- Draft summer SW:	6,65 m
- Air draft above keel, gear down:	35,05 m

## HOLDS

- One hatch 91,00 x 16,20 m, which can be completely opened or each cover separately
- Upper/lower holds are box - shaped - steel floored - TD flush steel pontoons
- 1 RORO Deck - clear length of 104 m, width 16,30m, clear height of 6,20 m - 2 lower hold of 25,35 length width of 15,55, clear height 5,05
- Tweendeck can be removed in which case clear height in lower hold 12,20 m.

## HATCH OPENINGS

- 1 Hatch 91 x 16,30 m covered by 8 Pontoons
- Lower Holds:
 

Hold 1+2:	25,5 M x 16,20 M (8 pontoons)
-----------	-------------------------------

## CAPACITY

- Bale:	abt. 490.000 cft
- Grane:	abt. 511.000 cft

## TANK TOP STRENGTHS

- Tanktop:	12,0 mtons/m <sup>2</sup>
- Tween deck:	3,5 mtons/m <sup>2</sup>
- Hatch covers:	3,5 mtons/m <sup>2</sup>

## GEAR

- 2 x 240 mt
- Combinable up to 480 mt SWL subject to dimensions and hook points of unit to be carried.
- 75 MT SWL 33 outreach

## MACHINERY/PROPELLER

- 1 Diesel engine, 4 stroke single acting (supercharging)
- MAN B+W 12V 32/40- 5760kW 2366,0 kVA; 440/220V
- controllable pitch propeller

## GENERATORS/BOWTHRUSTER

- 2 MAN Nürnberg D 2840 LE 301 – 515 kW/700hp
- Bowthruster: Jastram 500 kW

## SPEED

- About 14.5 Knots

## RORO CAPACITY

- 520 LM RoRo – Deck
- Sterndoor opening: 10,00 M x 6,20 M
- Sternramp Capacity: 350 Mtons

## TANK CAPACITY

- Heavy fuel oil (HFO):	786 m3
- Diesel oil (MDO):	89 m3

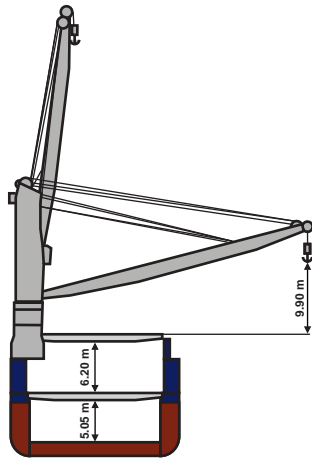
## SPECIAL FEATURES

- 40 reefer plugs
- Container capacity: 641 TEU

(Details are believed to be correct, but are not guaranteed.)

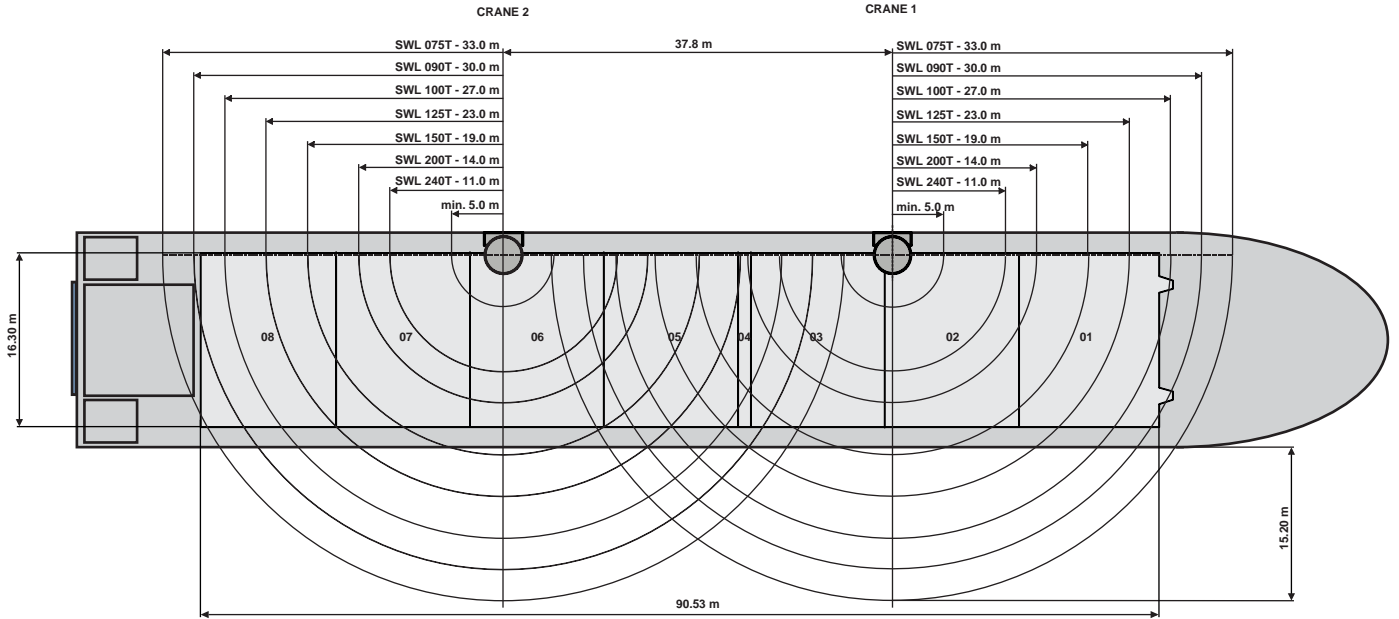
# M/V SPARTA

Details believed to be correct, but are given without guarantee

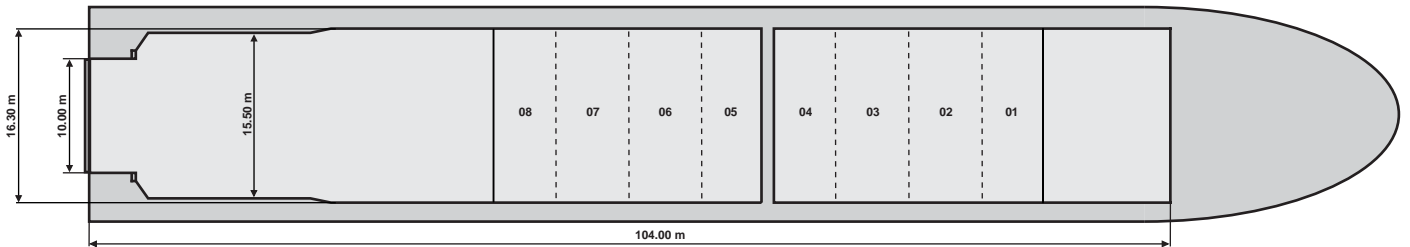


240T COMBINED LIFTING CAPACITY

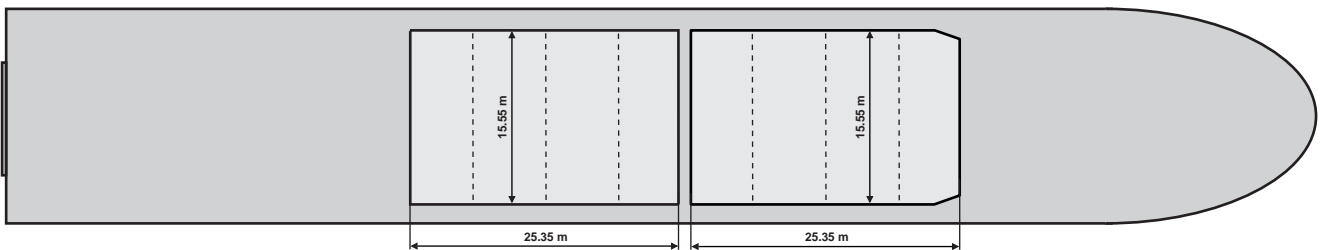
DECK



TWEEN DECK



LOWER HOLD



641 TEUS

